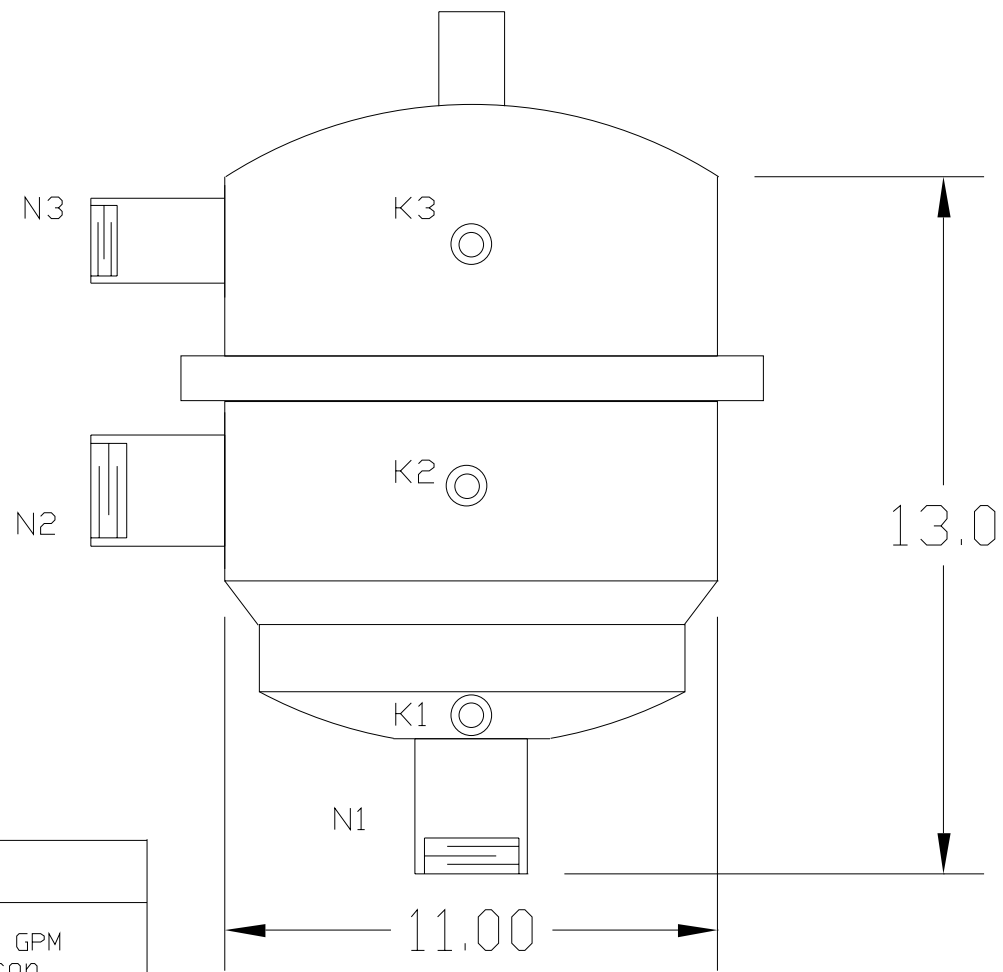


| REVISIONS | | | | |
|-----------|-----|-------------|------|----------|
| ZONE | REV | DESCRIPTION | DATE | APPROVED |



TECHNICAL DATA

| | |
|------------------|-------------|
| Flow Rate | Max 110 GPM |
| Screen Size | ___ Micron |
| Screen Area | 0.5 sq.ft. |
| Working Temp. | 150 deg. F |
| Working Pressure | 150 PSI |
| Empty Weight | 50 lbs. |
| Full Weight | 80 lbs. |

| NOZZLE | CONNECTION | TYPE OF CONNECTION | SIZE |
|--------|------------------|--------------------|----------|
| K1 | Hi. Pres. Conn. | Threaded | 1/4" NPT |
| K2 | Low Pres. Conn. | Threaded | 1/4" NPT |
| K3 | Hi. Press. Conn. | Threaded | 1/4" NPT |
| N1 | Inlet | Threaded | 2" NPT |
| N2 | Outlet | Threaded | 2" NPT |
| N3 | Flushoutlet | Threaded | 1" NPT |

UNLESS OTHERWISE SPECIFIED
DIMENSIONS ARE IN INCHES
TOLERANCES

| | |
|------------|------------|
| DECIMALS | ANGULAR |
| .XX ± .05 | ± 0.5 DEG. |
| .XXX ± .01 | |

| | |
|-----------|--------|
| DRAWN | DATE |
| JAE H. JI | 1/3/02 |
| CHECKED | |
| DESIGN | |

AUTOMATIC FILTERS, INC.

| | | |
|------------------|---------|-----|
| TITLE | | |
| BELL-2 FILTER | | |
| SIZE | DWG NO. | REV |
| A | BELL2 | 0 |
| SHEET | | OF |