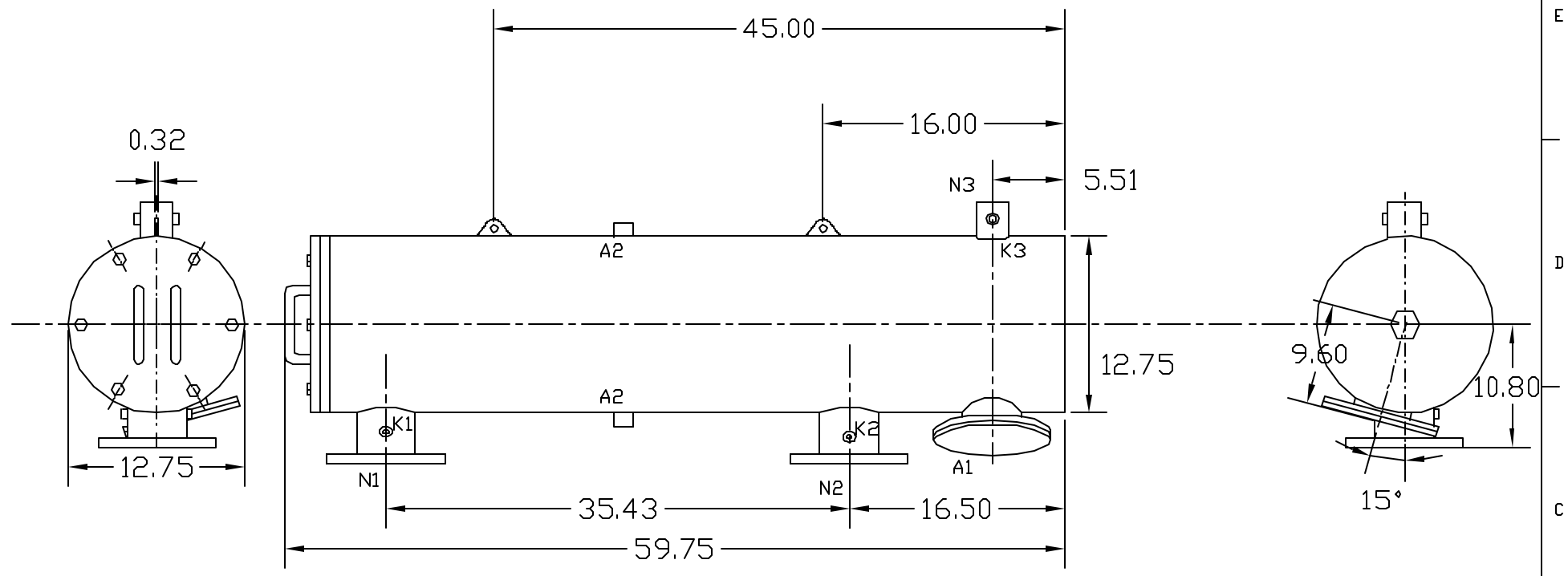


1 2 3 4 5 6 7 8

REVISIONS				
ZONE	REV	DESCRIPTION	DATE	APPROVED



TECHNICAL DATA

Flow Rate	Max. 400 GPM
Screen Size	--- Micron
Screen Area	5.0 Sq.Ft.
Working Temp.	200 deg. F
Working Pressure	150 PSI
Empty Weight	230 lbs.
Full Weight	419 lbs.

NOZZLE	CONNECTION	TYPE OF CONNECTION	SIZE	RATING
A1	Service Port	Flanged	3.5" ASA	150 lbs. F.F. w/Blind
A2	Pressure Release	Threaded	1" NPT(2)	
K1	Hi. Press. Conn.	Threaded	1/4" NPT(2)	
K2	Low Press. Conn.	Threaded	1/4" NPT(2)	
K3	Hydraulic Conn.	Threaded	1/4" NPT(2)	
N1	Inlet	Flanged	3" ASA	150 lbs. F.F.
N2	Outlet	Flanged	3" ASA	150 lbs. F.F.
N3	Flushoutlet	Flanged	2" NPT	

UNLESS OTHERWISE SPECIFIED
DIMENSIONS ARE IN INCHES
TOLERANCES

DECIMALS .XX ± .05 .XXX ± .01	ANGULAR ± 0.5 DEG.
-------------------------------------	-----------------------

AUTOMATIC FILTERS, INC.
2672 S. LA CIENEGA BLVD.
LOS ANGELES, CA 90034
(310) 839-2828 FAX (310) 839-6878

TITLE
ABW3-XLP

DRAWN Daniel Stenberg	DATE 10-4-06
CHECKED	
DESIGN	

SIZE A	DWG NO. Abw3-xlp	REV 0
NTS		SHEET OF