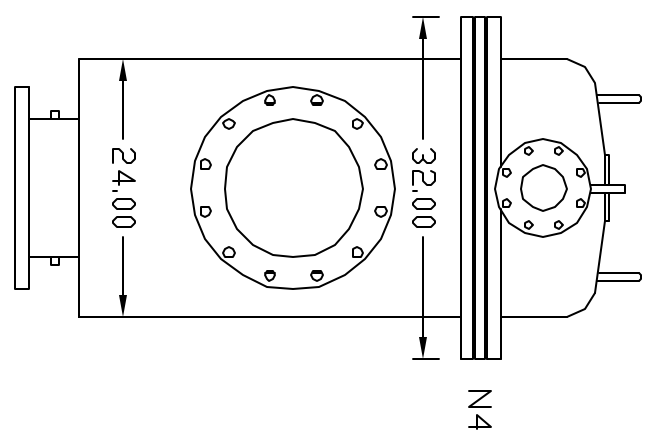
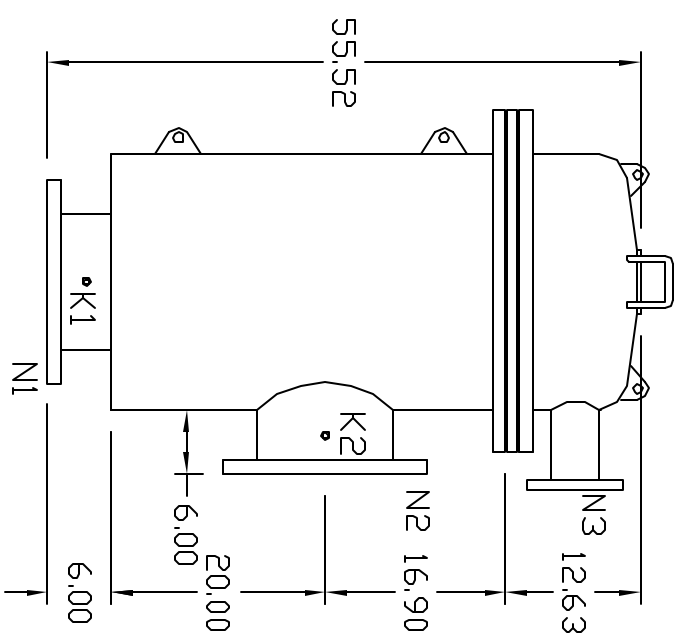


REVISIONS			DATE	APPROVED
ZONE	REV	DESCRIPTION	DATE	APPROVED



TECHNICAL DATA

Flow Rate	Max. 2500 GPM
Screen Size	----- Micron
Screen Area	10.5 sq.ft.
Working Temp.	200 deg. F
Working Pressure	150 PSI
Empty Weight	400 lbs.
Full Weight	850 lbs.
Screen Length	36 inches

NOZZLE	CONNECTION	TYPE DF CONNECTION	SIZE	RATING
K1	Hi. Press. Conn.	Threaded	1/4" NPT(2)	150 lbs. F.F.
K2	Low Press. Conn.	Threaded	1/4" NPT(2)	150 lbs. F.F.
N1	Inlet	Flanged	12" ANSI	150 lbs. F.F.
N2	Outlet	Flanged	12" ANSI	150 lbs. F.F.
N3	Flushoutlet	Flanged	4" ANSI	150 lbs. F.F.
N4	Connection Flange	Flanged	24" AWWA	150 lbs. F.F.

UNLESS OTHERWISE SPECIFIED
DIMENSIONS ARE IN INCHES
DECIMALS ANGULAR
XXX ± .01 ± .03 DEGS

DRAWN
Daniel Stenberg
DATE
1-28-09

CHECKED
DESIGN

AUTOMATIC FILTERS, INC.
2672 S. LA CIENEGA BLVD.
LOS ANGELES, CA 90034
(310) 839-2828 FAX (310) 839-6878

TITLE
MTF 12

SIZE	DWG NO	REV
A	MTF12	3

NOT TO SCALE SHEET OF

A

B

C

D

E