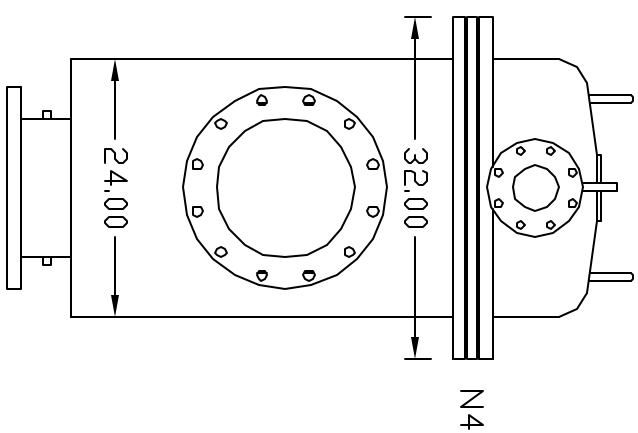
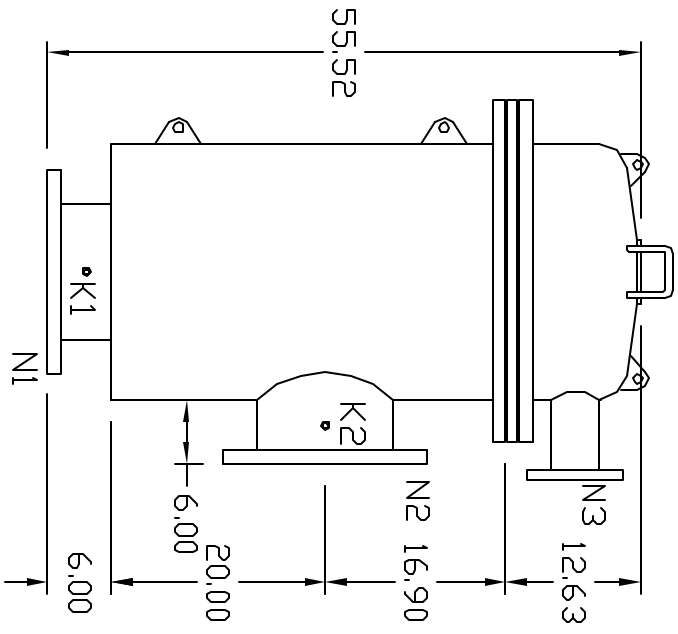


REVISIONS				
ZONE	REV	DESCRIPTION	DATE	APPROVED



**TECHNICAL DATA**

Flow Rate Max. 2500 GPM  
 Screen Size Micron  
 Screen Area 10.5 sq.ft.  
 Working Temp. 200 deg. F  
 Working Pressure 150 PSI  
 Empty Weight 400 lbs.  
 Full Weight 850 lbs.  
 Screen Length 36 inches

NOZZLE	CONNECTION	TYPE DF CONNECTION	SIZE	RATING
K1	Hi. Press. Conn.	Threaded	1/4"	150 lbs. F.F.
K2	Low Press. Conn.	Threaded	1/4"	150 lbs. F.F.
N1	Inlet	Flanged	10"	150 lbs. F.F.
N2	Outlet	Flanged	10"	150 lbs. F.F.
N3	Flushoutlet	Flanged	4"	150 lbs. F.F.
N4	Connection Flange	Flanged	24"	150 lbs. F.F.

UNLESS OTHERWISE SPECIFIED  
 DIMENSIONS ARE IN INCHES  
 DECIMALS ANGULAR  
 TOLERANCES ± 0.03 DEG  
 XXX ± .01

DRAWN Daniel Stenberg  
 CHECKED Daniel Stenberg  
 DATE 7-7-09

**AUTOMATIC FILTERS, INC.**  
 2672 S. LA CIENEGA BLVD.  
 LOS ANGELES, CA 90034  
 (310) 839-2828 FAX (310) 839-6878

TITLE			
MTF 10-L			
SIZE	DWG NO	REV	DF
A	MTF10L	0	
NOT TO SCALE		SHEET	DF