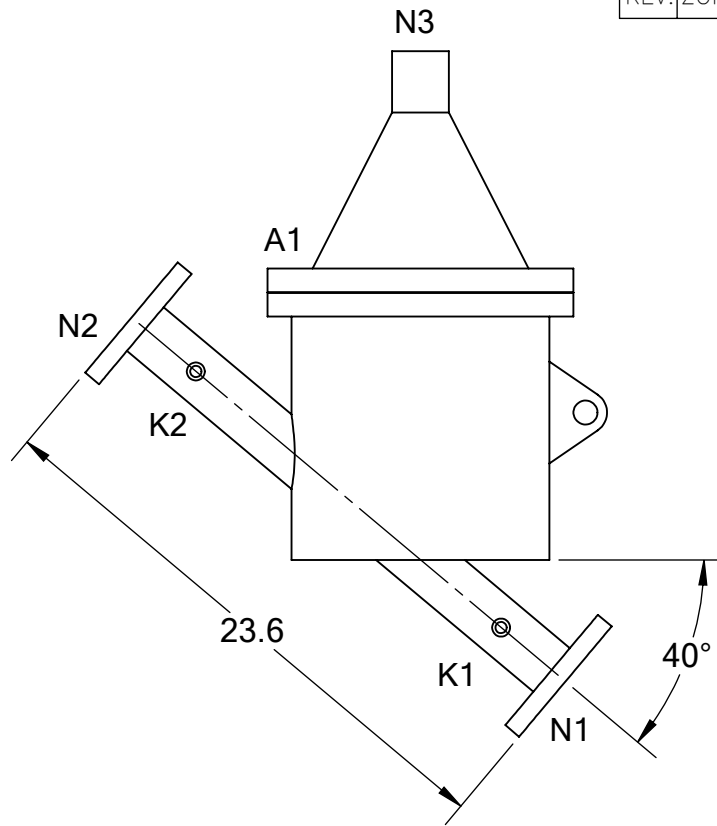
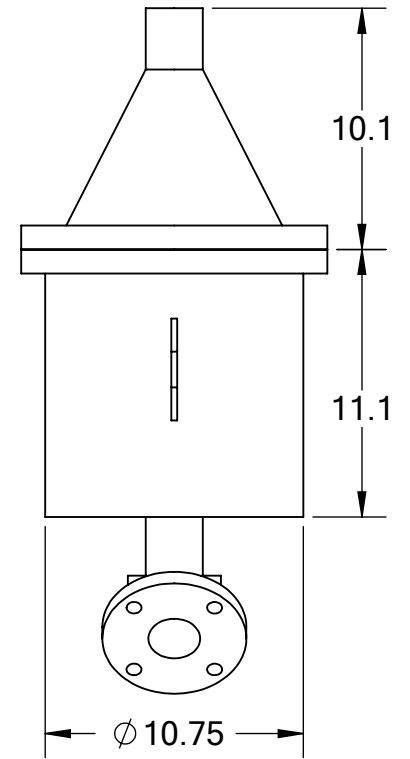


FRONT VIEW



SIDE VIEW



BACK VIEW

REVISIONS				
REV.	ZONE	DESCRIPTION	DATE	INITIAL

TECHNICAL DATA

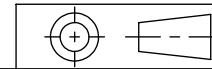
FLOW RATE	MAX. 200 GPM (45 m ³ /hr)
SCREEN SIZE	____ MICRON
SCREEN AREA	2.0 SQ. FEET
DESIGN TEMPERATURE	160 °F
DESIGN PRESSURE	150 PSI
EMPTY WEIGHT	~100 LBS.
FULL WEIGHT	~150 LBS.

NOZZLE	CONNECTION	TYPE	SIZE	RATING
A1	SERVICE PORT	FLANGED	12.75" ASA	CLASS #150 F.F.S.O.
K1	HIGH PRESSURE CONN.	THREADED	1/4" NPT(2)	
K2	LOW PRESSURE CONN.	THREADED	1/4" NPT(2)	CLASS #150 F.F.S.O.
N1	INLET	FLANGED/ THREADED	2" ASA/ 2" NPT	
N2	OUTLET	FLANGED/ THREADED	2" ASA/ 2" NPT	
N3	FLUSH OUTLET	THREADED	2" NPT	

TOLERANCES (UNLESS OTHERWISE SPECIFIED)

FRAC. ±1/16
.X ±.1
.XX ±.05
.XXX ±.010

ANGLE ±1°



MATERIAL: SST

DRAWN BY: J. KAWAMOTO

DATE: 01/09/2014

SCALE: 1:8 **SHEET:** 1 OF 1

TEKLEEN
Automatic Filters Inc.
2672 S. LA CIENEGA BLVD.
LOS ANGELES, CA 90034
MAIN: (310) 839-2828
FAX: (310) 839-6878

TITLE: CSF2 FILTER,
CUT DRAWING

DRAWING NUMBER CSF-2-CUT-01	REV N/A
---------------------------------------	-------------------