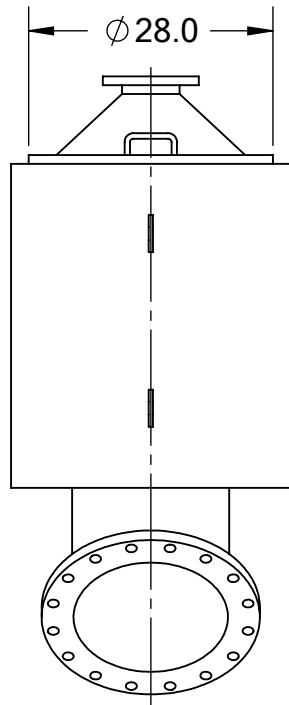
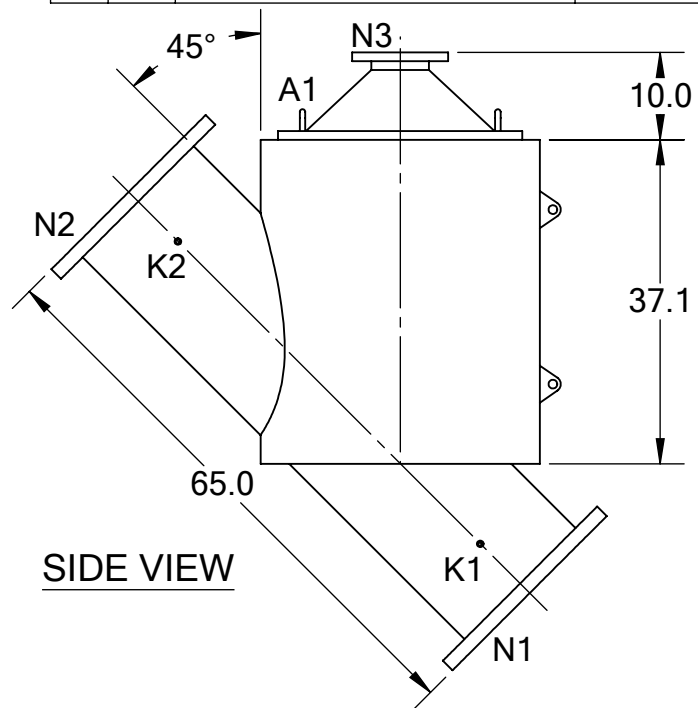


**FRONT VIEW**

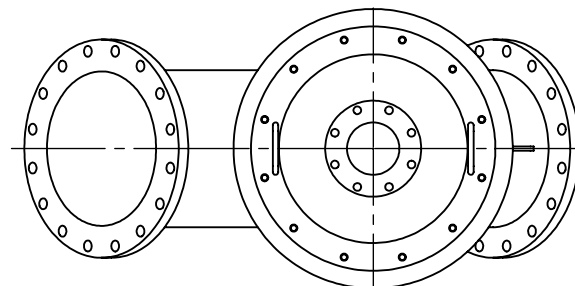


**BACK VIEW**

REVISIONS				
REV.	ZONE	DESCRIPTION	DATE	INITIAL
1	ALL	ROTATED FLANGE HOLES TO STRADDLE CENTERLINES OF FILTER, CHANGED "WORKING" TO "DESIGN" AND 200°F TO 160°F IN TECHNICAL DATA TABLE, CORRECTED SERVICE PORT FROM 20" TO 28".	04/10/13	S.P.



**SIDE VIEW**



**TOP VIEW**

**TECHNICAL DATA**

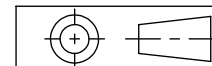
FLOW RATE	MAX. 10,000 GPM (2,271 m <sup>3</sup> /hr)
SCREEN SIZE	____ MICRON
SCREEN AREA	18.0 SQ. FEET
DESIGN TEMPERATURE	160 °F
DESIGN PRESSURE	100 PSI
EMPTY WEIGHT	~925 LBS.
FULL WEIGHT	~2,750 LBS.

NOZZLE	CONNECTION	TYPE	SIZE	RATING
A1	SERVICE PORT	FLANGED	28"	
K1	HIGH PRESSURE CONN.	THREADED	1/4" NPT(2)	
K2	LOW PRESSURE CONN.	THREADED	1/4" NPT(2)	
N1	INLET	FLANGED	18" ASA	CLASS #150 F.F.S.O.
N2	OUTLET	FLANGED	18" ASA	CLASS #150 F.F.S.O.
N3	FLUSH OUTLET	FLANGED	6" ASA	CLASS #150 F.F.S.O.

**TOLERANCES (UNLESS OTHERWISE SPECIFIED)**

FRAC. ±1/16  
 .X ±.1  
 .XX ±.05  
 .XXX ±.010

ANGLE ±1°



**MATERIAL:** SST

**DRAWN BY:** S. PERKINSON

**DATE:** 02/28/12

**SCALE:** 1:22 **SHEET:** 1 OF 1

**TEKLEEN**  
 Automatic Filters Inc.  
 2672 S. LA CIENEGA BLVD.  
 LOS ANGELES, CA 90034  
 MAIN: (310) 839-2828  
 FAX: (310) 839-6878

**TITLE:** CSF18-S FILTER, CUT DRAWING

<b>DRAWING NUMBER</b>	<b>REV</b>
CSF-18S-CUT-01	1