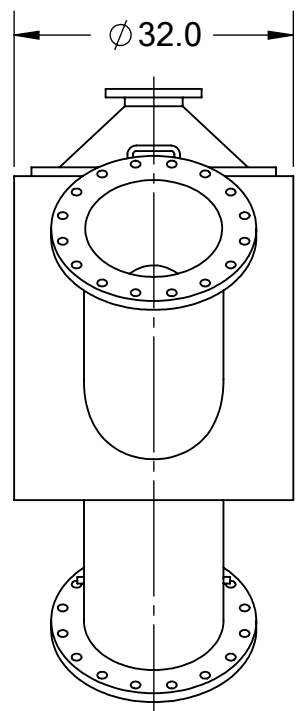
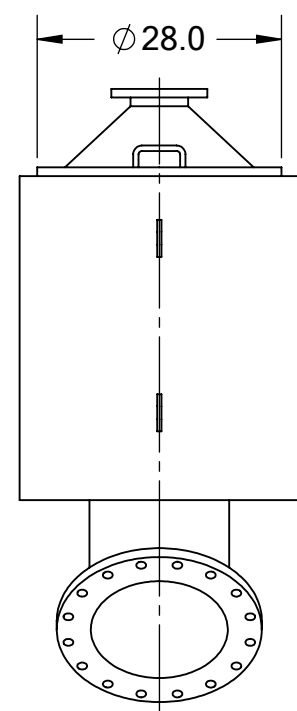


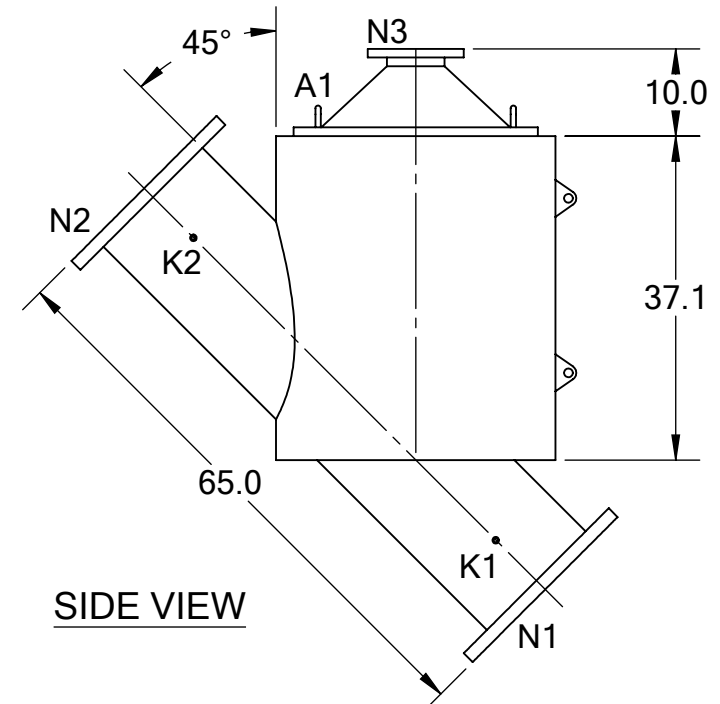
REVISIONS				
REV.	ZONE	DESCRIPTION	DATE	INITIAL
1	ALL	ROTATED FLANGE HOLES TO STRADDLE CENTERLINES OF FILTER, CHANGED "WORKING" TO "DESIGN" AND 200°F TO 160°F IN TECHNICAL DATA TABLE, CORRECTED SERVICE PORT FROM 20" TO 28".	04/10/13	S.P.



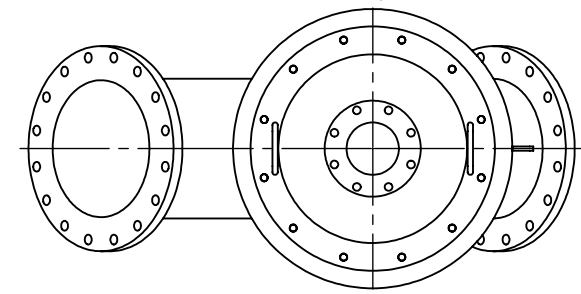
FRONT VIEW



BACK VIEW



SIDE VIEW



TOP VIEW

TECHNICAL DATA

FLOW RATE	MAX. 10,000 GPM (2,271 m ³ /hr)
SCREEN SIZE	____ MICRON
SCREEN AREA	18.0 SQ. FEET
DESIGN TEMPERATURE	160 °F
DESIGN PRESSURE	100 PSI
EMPTY WEIGHT	~850 LBS.
FULL WEIGHT	~2,500 LBS.

NOZZLE	CONNECTION	TYPE	SIZE	RATING
A1	SERVICE PORT	FLANGED	28"	
K1	HIGH PRESSURE CONN.	THREADED	1/4" NPT(2)	
K2	LOW PRESSURE CONN.	THREADED	1/4" NPT(2)	
N1	INLET	FLANGED	16" ASA	CLASS #150 F.F.S.O.
N2	OUTLET	FLANGED	16" ASA	CLASS #150 F.F.S.O.
N3	FLUSH OUTLET	FLANGED	6" ASA	CLASS #150 F.F.S.O.

TOLERANCES (UNLESS OTHERWISE SPECIFIED)	
FRAC. ±1/16	ANGLE ±1°
.X ±.1	
.XX ±.05	
.XXX ±.010	
MATERIAL: SST	
DRAWN BY: S. PERKINSON	
DATE: 02/29/12	
SCALE: 1:22	SHEET: 1 OF 1

TEKLEEN
Automatic Filters Inc.
2672 S. LA CIENEGA BLVD.
LOS ANGELES, CA 90034
MAIN: (310) 839-2828
FAX: (310) 839-6878

TITLE: CSF16-S FILTER, CUT DRAWING

DRAWING NUMBER: CSF-16S-CUT-01

REV: 1