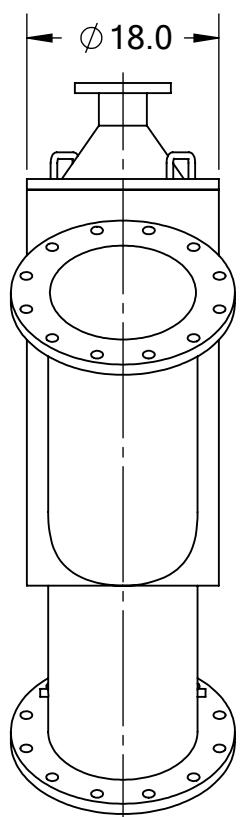
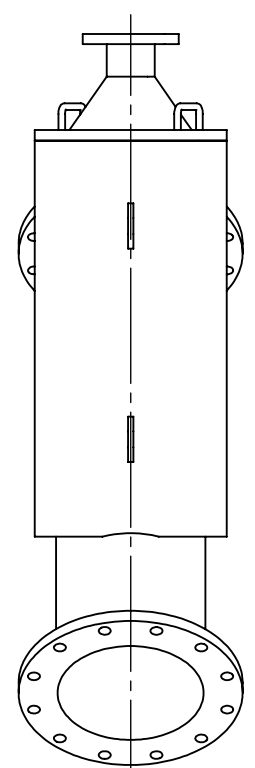


REVISIONS				
REV.	ZONE	DESCRIPTION	DATE	INITIAL
1	4A	CORRECTED FLUSH OUTLET FROM "NPT" TO "ASA".	03/29/13	S.P.

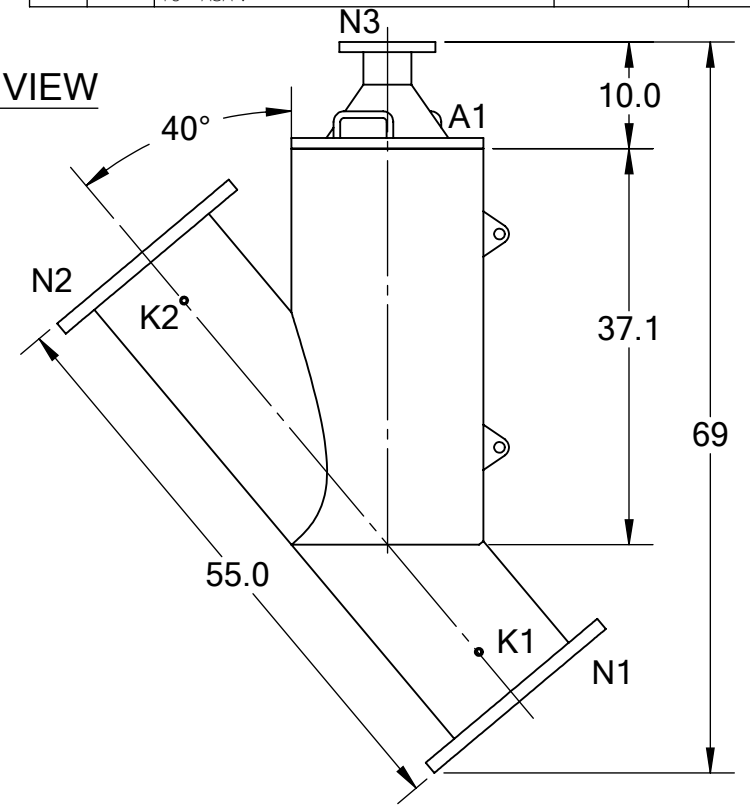


FRONT VIEW

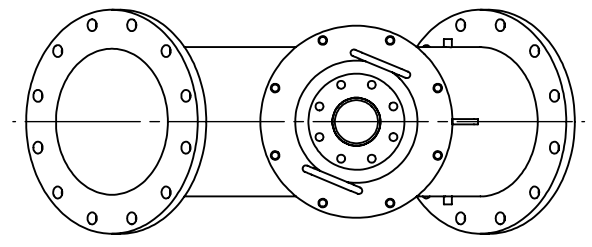


BACK VIEW

SIDE VIEW



TOP VIEW



TECHNICAL DATA

FLOW RATE	MAX. 4,000 GPM (908 m ³ /hr)
SCREEN SIZE	___ MICRON
SCREEN AREA	9.5 SQ. FEET
DESIGN TEMPERATURE	160 °F
DESIGN PRESSURE	150 PSI
EMPTY WEIGHT	~500 LBS.
FULL WEIGHT	~1,075 LBS.

NOZZLE	CONNECTION	TYPE	SIZE	RATING
A1	SERVICE PORT	FLANGED	18" ASA	
K1	HIGH PRESSURE CONN.	THREADED	1/4" NPT(2)	
K2	LOW PRESSURE CONN.	THREADED	1/4" NPT(2)	
N1	INLET	FLANGED	14" ASA	CLASS #150 F.F.S.O.
N2	OUTLET	FLANGED	14" ASA	CLASS #150 F.F.S.O.
N3	FLUSH OUTLET	FLANGED	4" ASA	CLASS #150 F.F.S.O.

TOLERANCES (UNLESS OTHERWISE SPECIFIED)	
FRAC. ±1/16	ANGLE ±1°
.X ±.1	
.XX ±.05	
.XXX ±.010	
MATERIAL:	SST
DRAWN BY:	S. PERKINSON
DATE:	07/20/12
SCALE:	1:18
SHEET:	1 OF 1

TEKLEEN
Automatic Filters Inc.
2672 S. LA CIENEGA BLVD.
LOS ANGELES, CA 90034
MAIN: (310) 839-2828
FAX: (310) 839-6878

TITLE: CSF14 FILTER WITH 4" FLANGED FLUSH OUTLET, CUT DRAWING

DRAWING NUMBER	REV
CSF-14-CUT-01	1