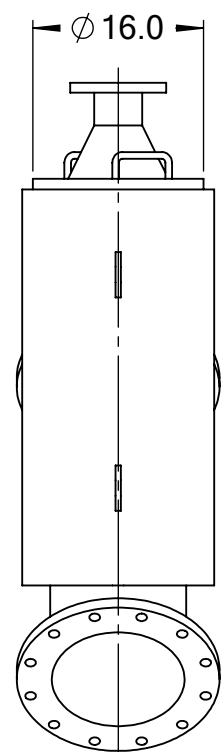
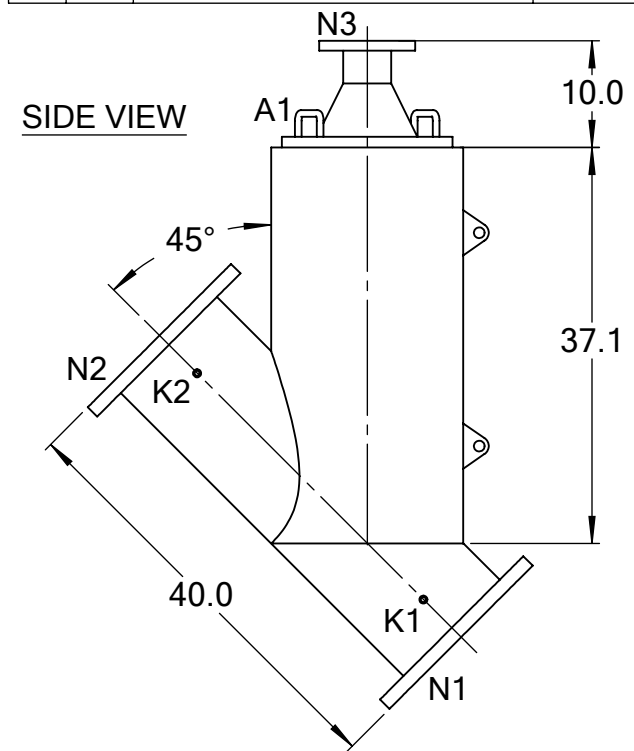


FRONT VIEW

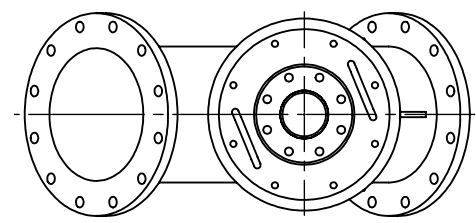


BACK VIEW

REVISIONS				
REV.	ZONE	DESCRIPTION	DATE	INITIAL
1	7B	ROTATED FLUSH FLANGE & COVER BOLT HOLES 22.5° TO STRADDLE CENTER LINE.	07/17/12	S.P.
2	1B,2B	CHANGED "WORKING" TO "DESIGN" AND 210°F TO 160°F IN TECHNICAL DATA TABLE.	04/19/13	S.P.



SIDE VIEW



TOP VIEW

TECHNICAL DATA

FLOW RATE	MAX 2,630 GPM (597 m ³ /hr)
SCREEN SIZE	____ MICRON
SCREEN AREA	8.4 SQ. FEET
DESIGN TEMPERATURE	160 °F
DESIGN PRESSURE	150 PSI
EMPTY WEIGHT	~450 LBS.
FULL WEIGHT	~900 LBS.

NOZZLE	CONNECTION	TYPE	SIZE	RATING
A1	SERVICE PORT	FLANGED	16"	
K1	HIGH PRESSURE CONN.	THREADED	1/4" NPT(2)	
K2	LOW PRESSURE CONN.	THREADED	1/4" NPT(2)	
N1	INLET	FLANGED	12" ASA	CLASS #150 F.F.S.O.
N2	OUTLET	FLANGED	12" ASA	CLASS #150 F.F.S.O.
N3	FLUSH OUTLET	FLANGED	4" ASA	CLASS #150 F.F.S.O.

TOLERANCES (UNLESS OTHERWISE SPECIFIED)	
FRAC. ±1/16	ANGLE ±1°
.X ±.1	
.XX ±.05	
.XXX ±.010	
MATERIAL: SST	
DRAWN BY: S. PERKINSON	
DATE: 06/05/12	
SCALE: 1:18	SHEET: 1 OF 1

TEKLEEN®
Automatic Filters Inc.
2672 S. LA CIENEGA BLVD.
LOS ANGELES, CA 90034
MAIN: (310) 839-2828
FAX: (310) 839-6878

TITLE: CSF12 FILTER WITH 4" FLANGED FLUSH OUTLET, CUT DRAWING

DRAWING NUMBER: CSF-12-CUT-02

REV: 2