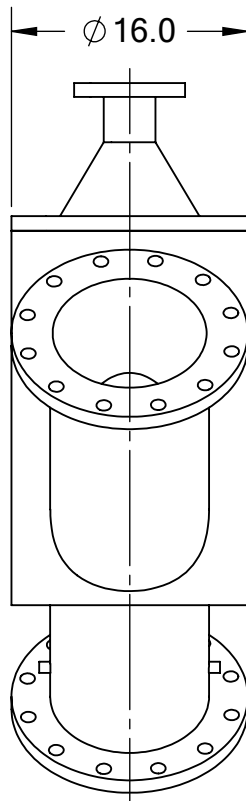
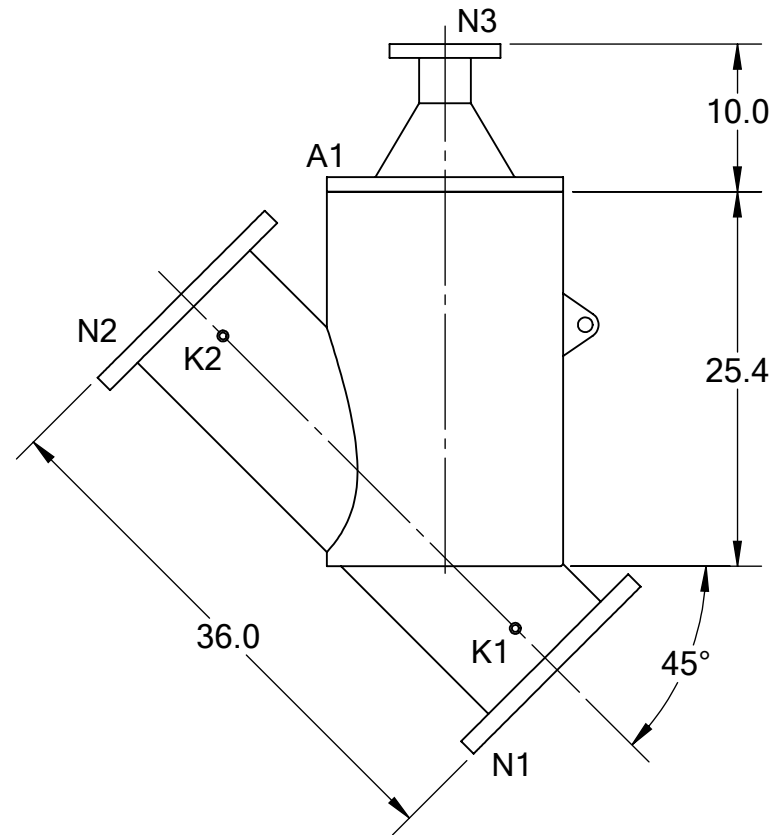


REVISIONS				
REV.	ZONE	DESCRIPTION	DATE	INITIAL
1	1B, 2B	CHANGED "WORKING" TO "DESIGN" & TEMPERATURE FROM 200°F TO 160°F IN TECHNICAL DATA TABLE.	01/03/13	S.P.



FRONT VIEW



SIDE VIEW

TECHNICAL DATA

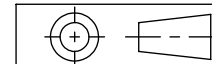
FLOW RATE	MAX. 1,750 GPM (397 m ³ /hr)
SCREEN SIZE	____ MICRON
SCREEN AREA	5.6 SQ. FEET
DESIGN TEMPERATURE	160 °F
DESIGN PRESSURE	150 PSI
EMPTY WEIGHT	~300 LBS.
FULL WEIGHT	~500 LBS.

NOZZLE	CONNECTION	TYPE	SIZE	RATING
A1	SERVICE PORT	FLANGED	16"	
K1	HIGH PRESSURE CONN.	THREADED	1/4" NPT(2)	CLASS #150 F.F.S.O.
K2	LOW PRESSURE CONN.	THREADED	1/4" NPT(2)	CLASS #150 F.F.S.O.
N1	INLET	FLANGED	10" ASA	CLASS #150 F.F.S.O.
N2	OUTLET	FLANGED	10" ASA	CLASS #150 F.F.S.O.
N3	FLUSH OUTLET	FLANGED	3" ASA	CLASS #150 F.F.S.O.

TOLERANCES (UNLESS OTHERWISE SPECIFIED)

FRAC. ±1/16
.X ±.1
.XX ±.05
.XXX ±.010

ANGLE ±1°



MATERIAL: SST

DRAWN BY: S. PERKINSON

DATE: 07/16/12

SCALE: 1:13

SHEET: 1 OF 1



2672 S. LA CIENEGA BLVD.
LOS ANGELES, CA 90034
MAIN: (310) 839-2828
FAX: (310) 839-6878

TITLE: CSF10 FILTER WITH 3" FLANGED FLUSH OUTLET, CUT DRAWING

DRAWING NUMBER **REV**

CSF-10-CUT-02 1