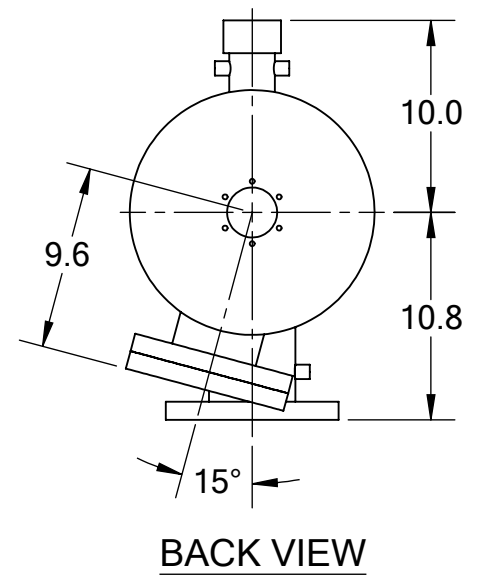
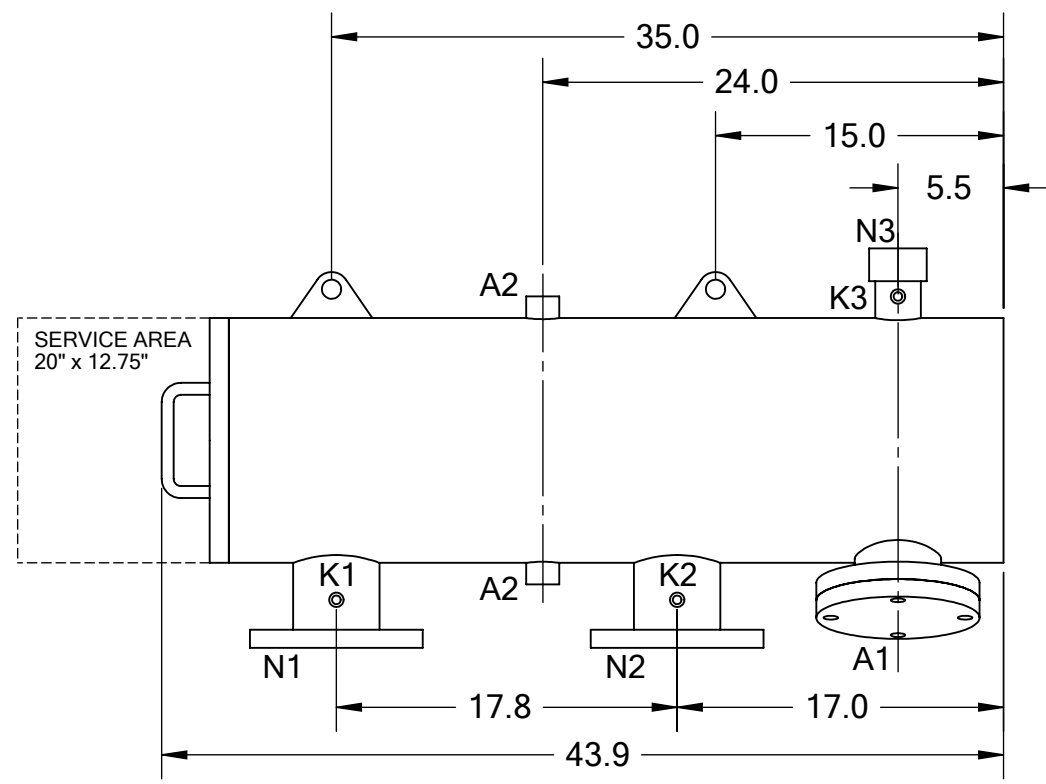
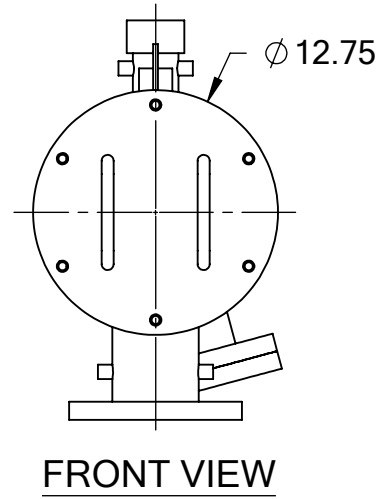


REVISIONS				
REV.	ZONE	DESCRIPTION	DATE	INITIAL



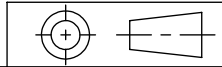
TECHNICAL DATA

FLOW RATE	MAX. 400 GPM (91 m ³ /hr)
SCREEN SIZE	___ MICRON
SCREEN AREA	2.5 SQ. FEET
WORKING TEMPERATURE	MAX. 200 °F
WORKING PRESSURE	MAX. 150 PSI
EMPTY WEIGHT	~250 LBS.
FULL WEIGHT	~450 LBS.

TOLERANCES (UNLESS OTHERWISE SPECIFIED)

FRAC. ±1/16
.X ±.1
.XX ±.05
.XXX ±.010

ANGLE ±1°



MATERIAL: SST

DRAWN BY: S. PERKINSON

DATE: 06/23/11

SCALE: 1:10 **SHEET:** 1 OF 1

TEKLEEN®
Automatic Filters Inc.
2672 S. LA CIENEGA BLVD.
LOS ANGELES, CA 90034
MAIN: (310) 839-2828
FAX: (310) 839-6878

TITLE:
ABW4-LPE FILTER,
CUT DRAWING

DRAWING NUMBER ABW-4LPE-CUT-01
REV N/A

NOZZLE	CONNECTION	TYPE	SIZE	RATING
A1	SERVICE PORT	FLANGED	3.5" ASA	CL. #150 F.F. w/ Blind
A2	PRESSURE RELEASE	THREADED	1" NPT(2)	
K1	HIGH PRESSURE CONN.	THREADED	1/4" NPT(2)	CLASS #150 F.F.S.O.
K2	LOW PRESSURE CONN.	THREADED	1/4" NPT(2)	
K3	HYDRAULIC CONN.	THREADED	1/4" NPT(2)	CLASS #150 F.F.S.O.
N1	INLET	FLANGED	4" ASA	
N2	OUTLET	FLANGED	4" ASA	
N3	FLUSH OUTLET	THREADED	2" NPT	