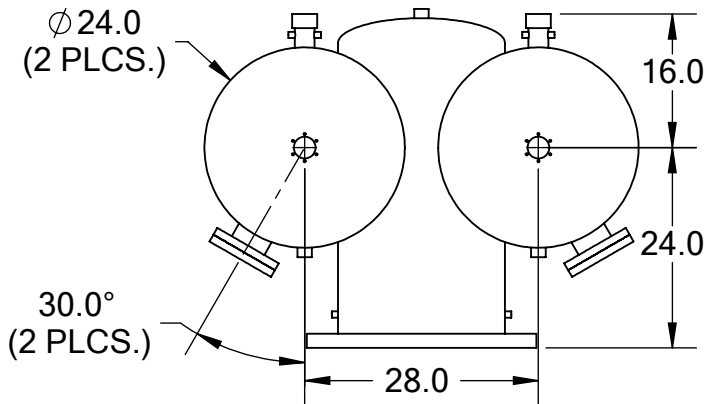
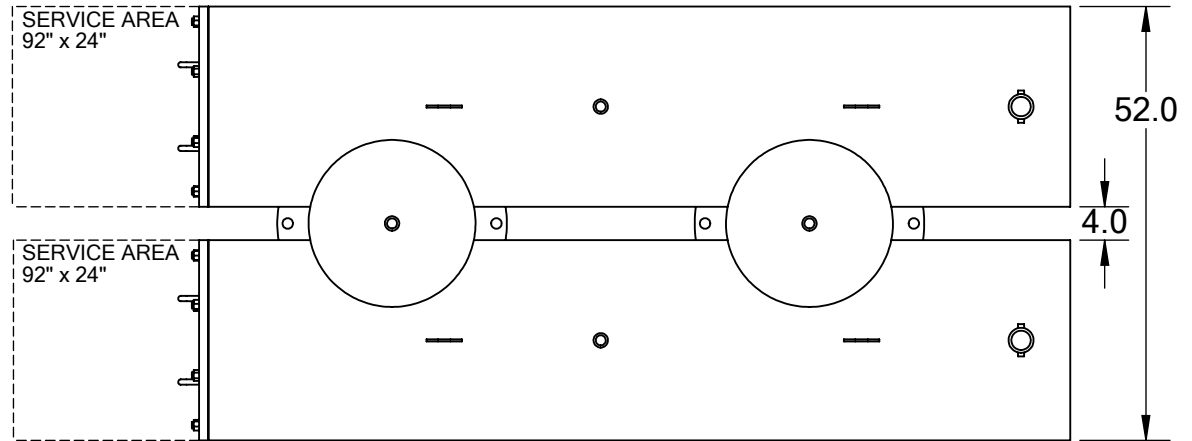


FRONT VIEW

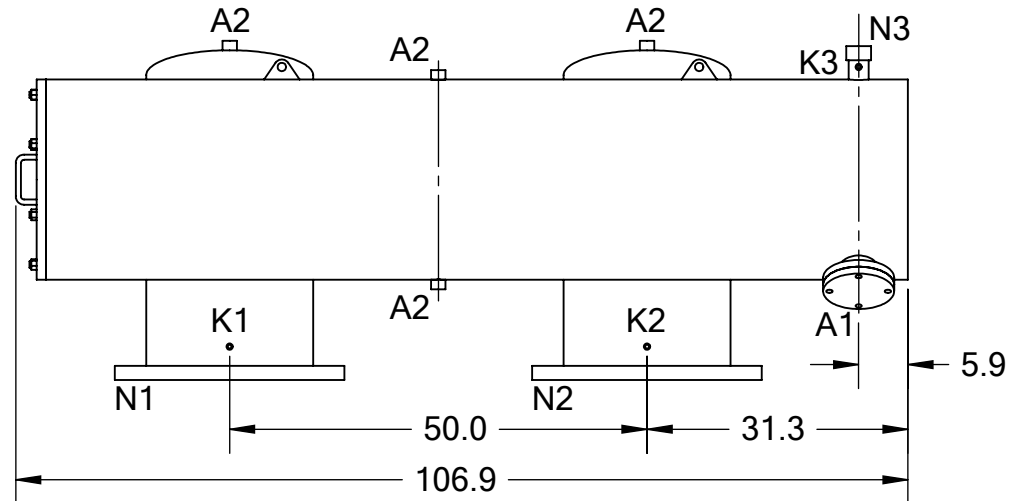


BACK VIEW

REVISIONS				
REV.	ZONE	DESCRIPTION	DATE	INITIAL



TOP VIEW



SIDE VIEW

TECHNICAL DATA

FLOW RATE	MAX. 12,000 GPM (2,725 m ³ /hr)
SCREEN SIZE	--- MICRON
SCREEN AREA	32.0 SQ. FT. (2 x 16.0 SQ. FT.)
MAXIMUM TEMPERATURE	200 °F
MAXIMUM PRESSURE	150 PSI
EMPTY WEIGHT	~2,800 LBS.
FULL WEIGHT	~6,250 LBS.

NOZZLE	CONNECTION	TYPE	SIZE	RATING
A1	SERVICE PORT	FLANGED	3.5" ASA(2)	CL. #150 F.F. w/ Blind
A2	PRESSURE RELEASE	THREADED	1" NPT(6)	
K1	HIGH PRESSURE CONN.	THREADED	1/4" NPT(2)	
K2	LOW PRESSURE CONN.	THREADED	1/4" NPT(2)	
K3	HYDRAULIC CONN.	THREADED	1/4" NPT(4)	
N1	INLET	FLANGED	20" ASA	
N2	OUTLET	FLANGED	20" ASA	
N3	FLUSH OUTLET	THREADED	2" NPT(2)	CLASS #150 F.F.S.O. CLASS #150 F.F.S.O.

TOLERANCES (UNLESS OTHERWISE SPECIFIED)

FRAC. ±1/16	ANGLE ±1°
.X ±.1	
.XX ±.05	
.XXX ±.010	

MATERIAL: SST

DRAWN BY: S. PERKINSON

DATE: 09/26/11

SCALE: 1:23 **SHEET:** 1 OF 1

TEKLEEN
Automatic Filters Inc.
2672 S. LA CIENEGA BLVD.
LOS ANGELES, CA 90034
MAIN: (310) 839-2828
FAX: (310) 839-6878

TITLE:
ABW20-TLP FILTER,
CUT DRAWING

DRAWING NUMBER ABW-20TLP-CUT-01	REV N/A
---	-------------------