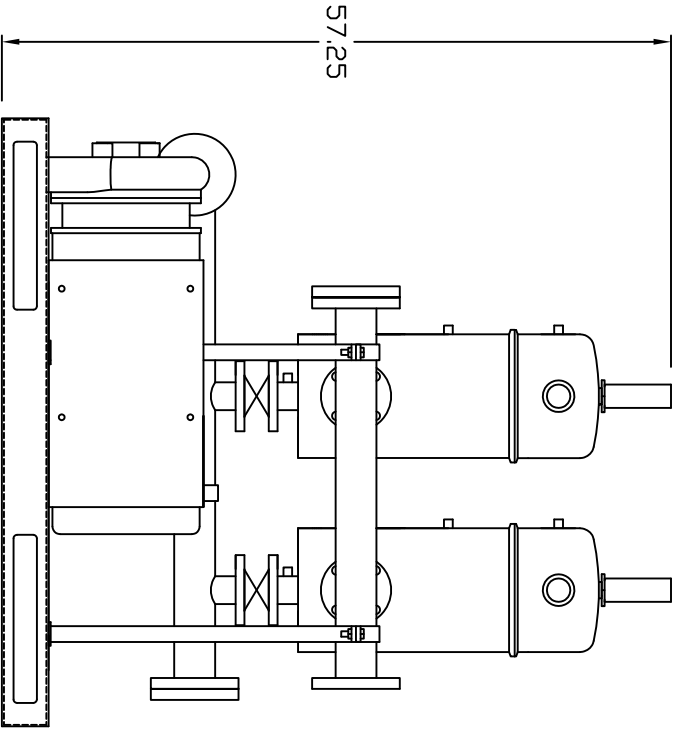
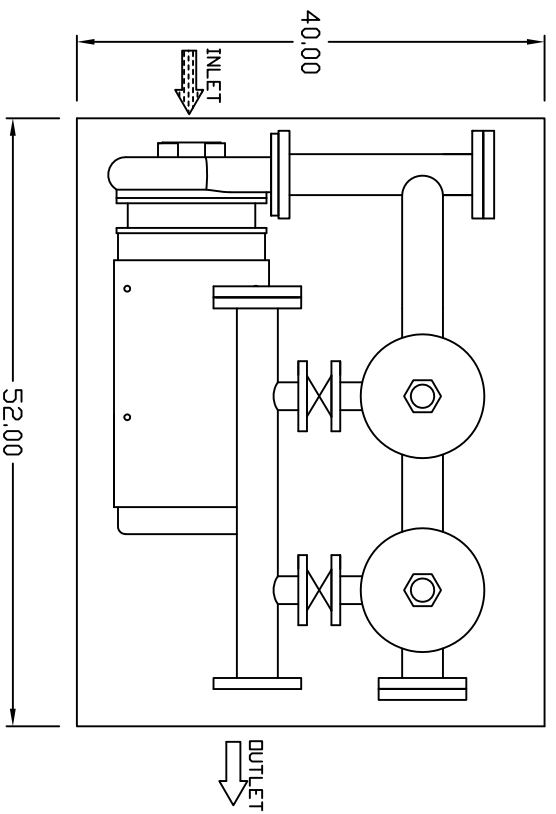


REVISIONS				
ZONE	REV	DESCRIPTION	DATE	APPROVED



UNLESS OTHERWISE SPECIFIED DIMENSIONS ARE IN INCHES TOLERANCES		TITLE	
DECIMALS	ANGULAR	AUTOMATIC FILTERS, INC.	
.XX ± .05	± 0.5 DEG.	2 MTF 2-XL, 3-L, & 4-L FILTERS IN PARALLEL WITH 1 PUMP, SKID UNIT	
XXX ± .01		DATE	REV
DRAWN		01/25/11	N/A
S. PERKINSON		SIZE	DWG NO.
CHECKED		A	2MTF-2XL-3L-4L-SKID-01
DESIGN FOR:		NOT TO SCALE	SHEET 1 OF 1