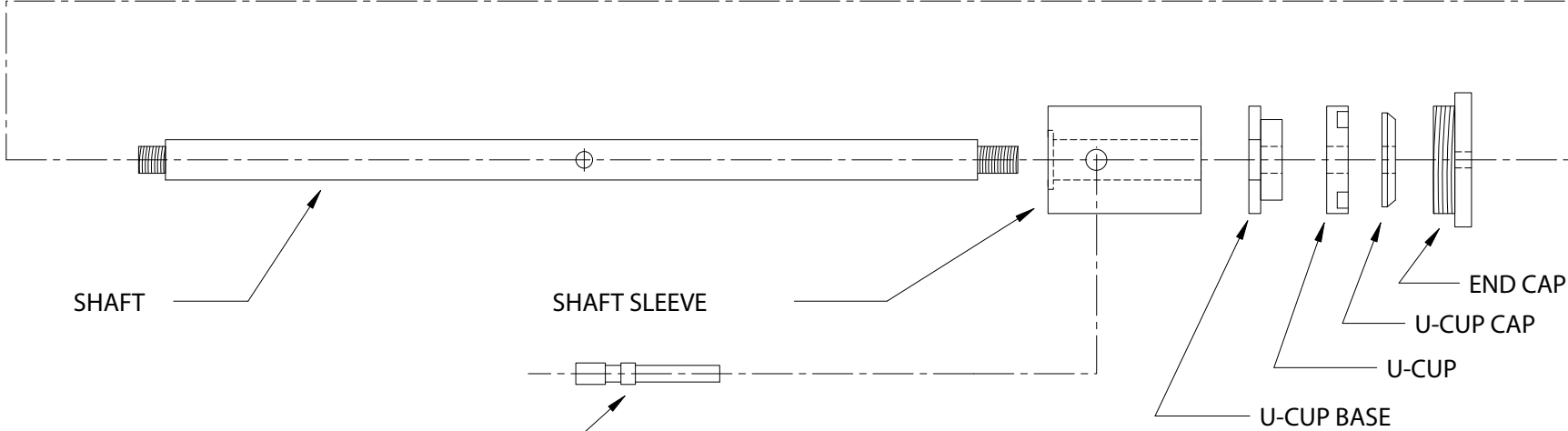
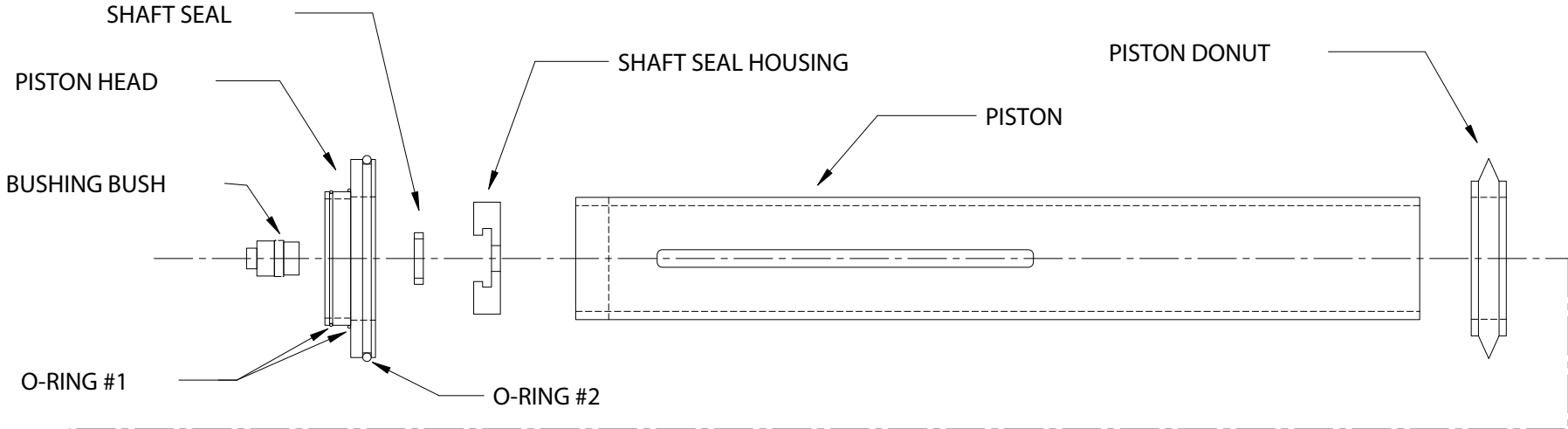


1 2 3 4 5 6 7 8

REVISIONS				
ZONE	REV	DESCRIPTION	DATE	APPROVED



UNLESS OTHERWISE SPECIFIED DIMENSIONS ARE IN INCHES TOLERANCES	
DECIMALS	ANGULAR
.XX + .05 .XXX + .01	± 0.5 DEG.
DRAWN DMITRIY POLISHCHUK	DATE 10-06-04
CHECKED	
DESIGN	

AUTOMATIC FILTERS, INC.		
TITLE PARTS LIST FOR 1.5" & 2" LONG PISTON		
SIZE A	DWG NO. LONG PISTON	REV 0
SCALE: NONE	SHEET OF	

E
D
C
B
A