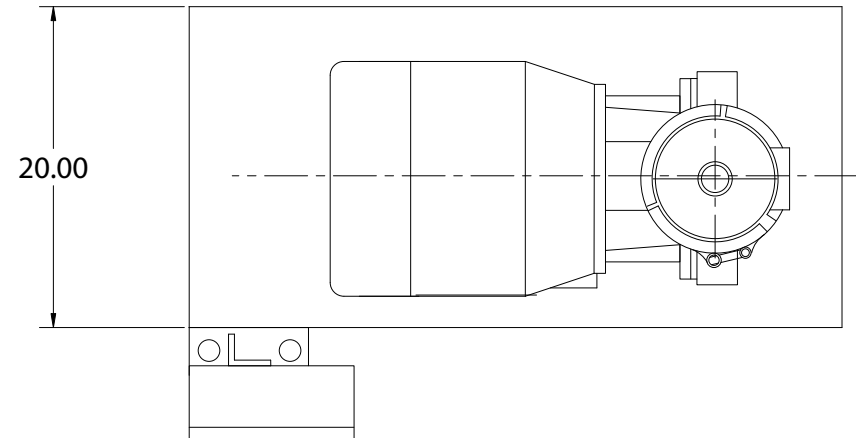
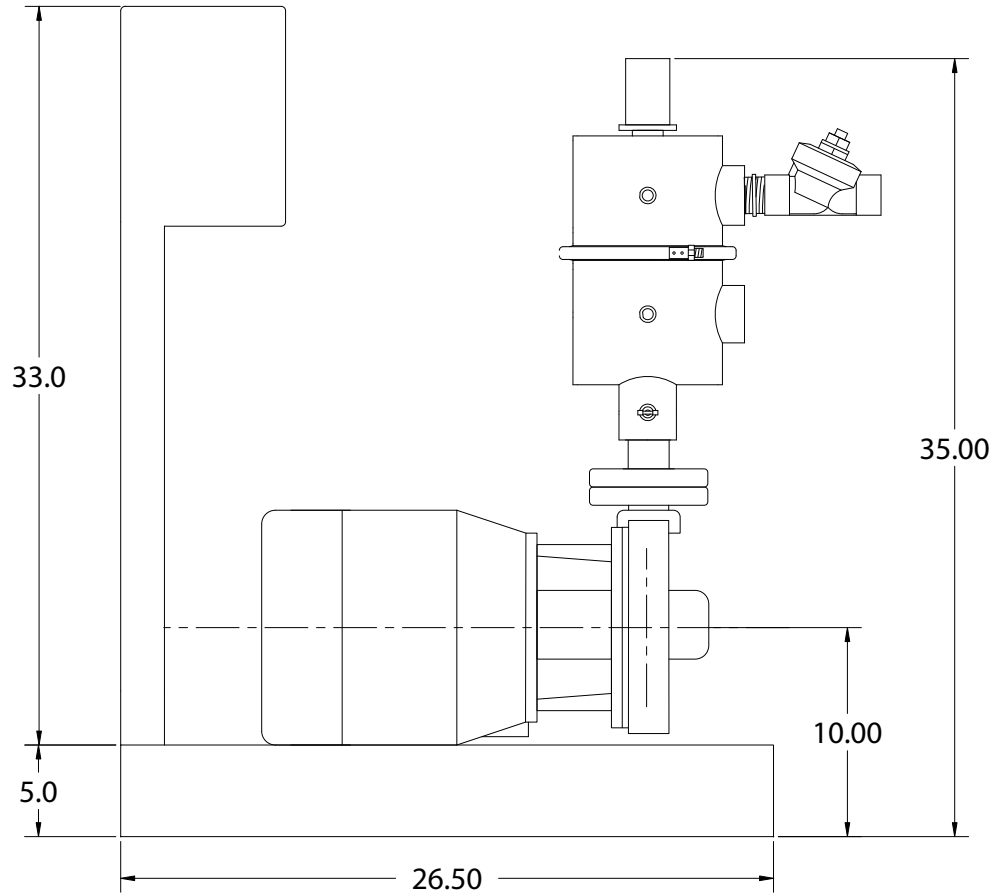


1 2 3 4 5 6 7 8

REVISIONS			
ZONE REV	DESCRIPTION	DATE	APPROVED



FLOWRATE: MAX 100GPM  
 MAX. PRESS: 150PSI  
 PUMP POWER: 3HP  
 WEIGHT: 150LBS

UNLESS OTHERWISE SPECIFIED DIMENSIONS ARE IN INCHES TOLERANCES DECIMALS ANGULAR .XX +.05 ± 0.5 DEG. .XXX +.01		AUTOMATIC FILTERS, INC. 2672 S. LA CIENEGA BLVD. LOS ANGELES, CA 90034 (310) 839-2828 FAX (310) 839-6878		
DRAWN DMITRIY POLISHCHUK	DATE 9-19-03	TITLE MTF-2 FILTER w/ Skid Unit		
CHECKED		SIZE A	DWG NO. skid-mtf	REV 0
DESIGN		SCALE 1:6	SHEET OF	

E

D

C

B

A