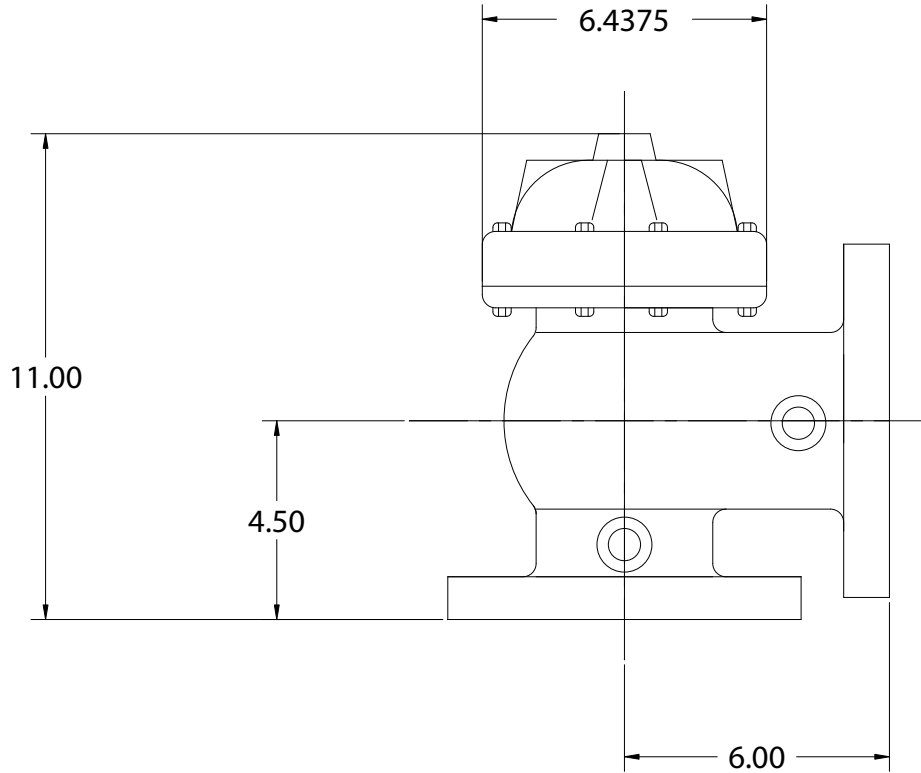


1 2 3 4 5 6 7 8

REVISIONS				
ZONE REV	DESCRIPTION	DATE	APPROVED	



Weight: 44 lbs

UNLESS OTHERWISE SPECIFIED DIMENSIONS ARE IN INCHES TOLERANCES DECIMALS ANGULAR .XX + .05 ± 0.5 DEG. .XXX + .01		AUTOMATIC FILTERS, INC. 2672 S. LA CIENEGA BLVD. LOS ANGELES, CA 90034 (310) 839-2828 FAX (310) 839-6878		
DRAWN DMITRIY POLISHCHUK		DATE 9-15-03		TITLE 3" Flushing Valve
CHECKED		SIZE A	DWG NO. 3in flushing valve	REV 0
DESIGN		SCALE 1:6	SHEET OF	

E

D

C

B

A

