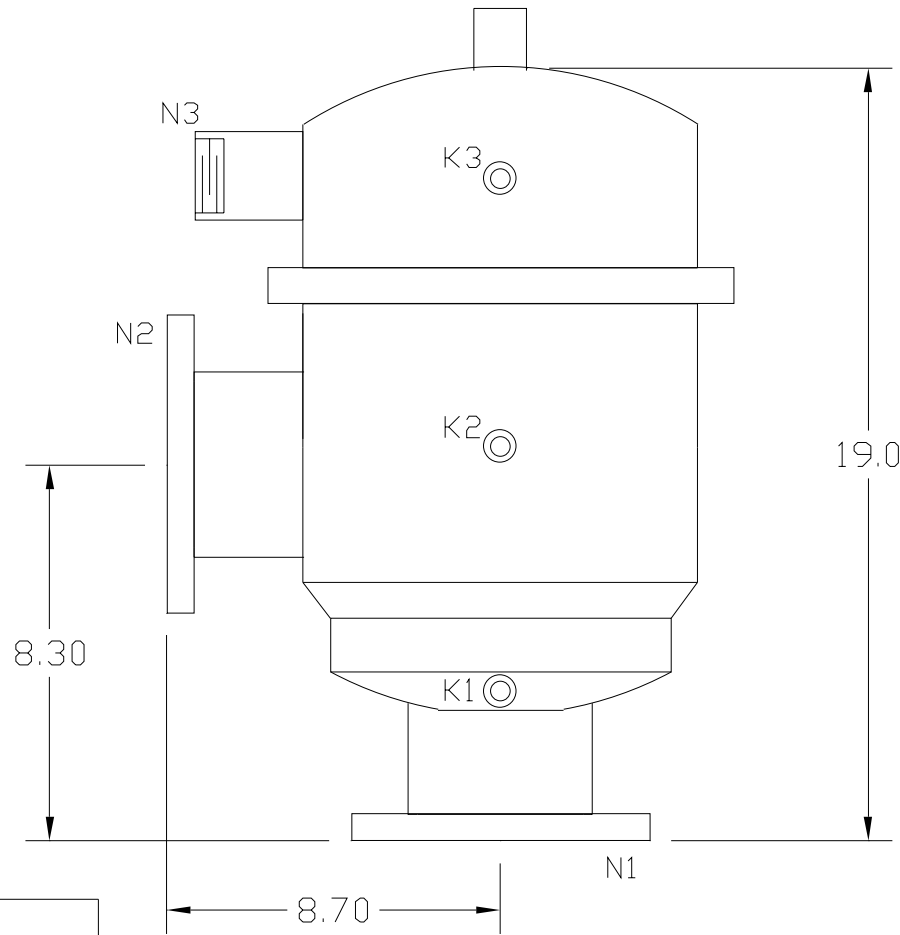


REVISIONS				
ZONE	REV	DESCRIPTION	DATE	APPROVED



TECHNICAL DATA

Flow Rate	350 GPM
Screen Size	--- Micron
Screen Area	0.8 Sq.Ft.
Working Temp.	150 deg. F
Working Pressure	150 PSI
Empty Weight	70 lbs
Full Weight	95 lbs

NOZZLE	CONNECTION	TYPE OF CONNECTION	SIZE
K1	Hi. Pres. Conn.	Threaded	1/4" NPT
K2	Low Pres. Conn.	Threaded	1/4" NPT
K3	Hi. Pres. Conn.	Threaded	1/4" NPT
N1	Inlet	Threaded	4" FLANGED
N2	Outlet	Threaded	4" FLANGED
N3	Flushoutlet	Threaded	1" NPT

UNLESS OTHERWISE SPECIFIED
DIMENSIONS ARE IN INCHES
TOLERANCES
DECIMALS ANGULAR
.XX ± .05 ± 0.5 DEG.
.XXX ± .01

AUTOMATIC FILTERS, INC.

TITLE		
BELL 4 FILTER		
DRAWN	DATE	REV
JAE H. JI	1/3/02	0
CHECKED		
DESIGN		
SIZE	DWG NO.	
A	BELL 4	
SHEET		OF