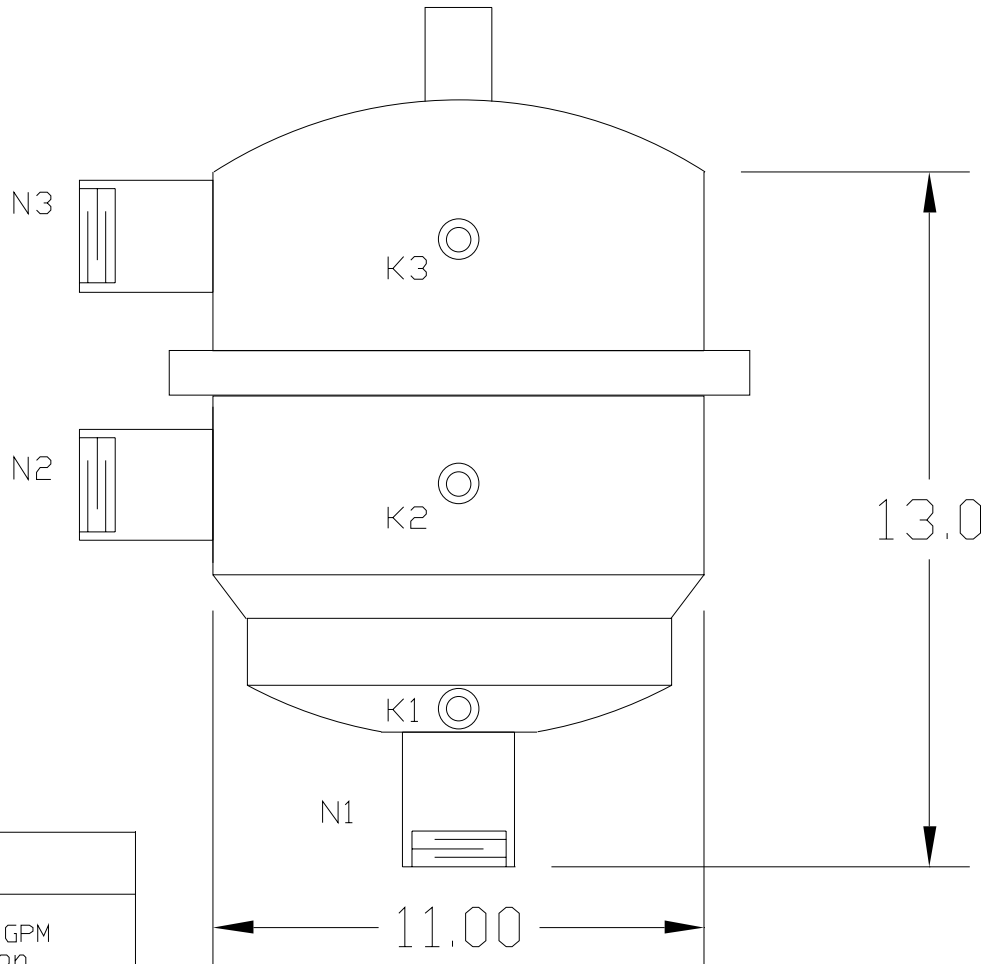


1 2 3 4 5 6 7 8

REVISIONS				
ZONE	REV	DESCRIPTION	DATE	APPROVED



TECHNICAL DATA

Flow Rate	Max 110 GPM
Screen Size	___ Micron
Screen Area	0.5 sq.ft.
Working Temp.	150 deg. F
Working Pressure	100 PSI
Empty Weight	50 lbs.
Full Weight	80 lbs.

NOZZLE	CONNECTION	TYPE OF CONNECTION	SIZE
K1	Hi. Pres. Conn.	Threaded	1/4" NPT
K2	Low. Pres. Con.	Threaded	1/4" NPT
K3	Hi. Pres. Conn.	Threaded	1/4" NPT
N1	Inlet	Threaded	1.5" NPT
N2	Outlet	Threaded	1.5" NPT
N3	Flushoutlet	Threaded	1.0" NPT

UNLESS OTHERWISE SPECIFIED
DIMENSIONS ARE IN INCHES
TOLERANCES

DECIMALS	ANGULAR
.XX ± .05	± 0.5 DEG.
.XXX ± .01	

DRAWN	DATE
JAE H. JI	1/7/02
CHECKED	
DESIGN	

AUTOMATIC FILTERS, INC.

TITLE		REV	
BELL-15 FILTER		0	
SIZE	DWG NO.	SHEET OF	
A	BELL15		

E
D
C
B
A